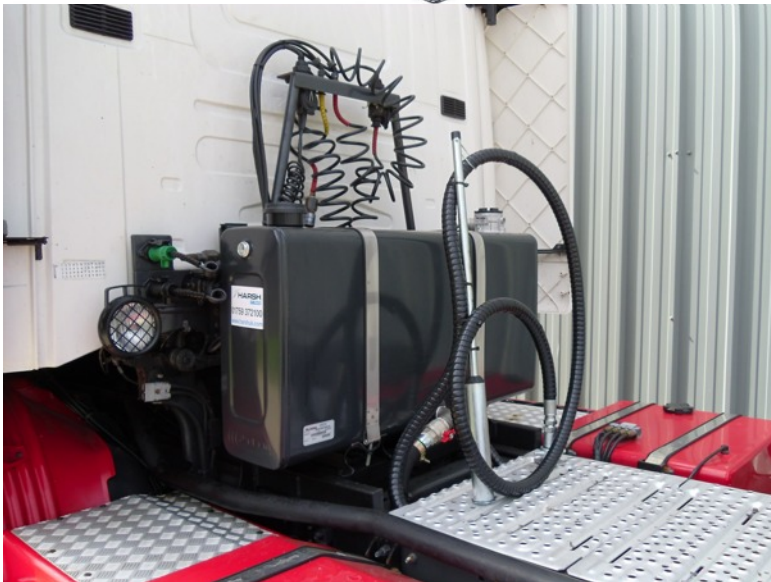
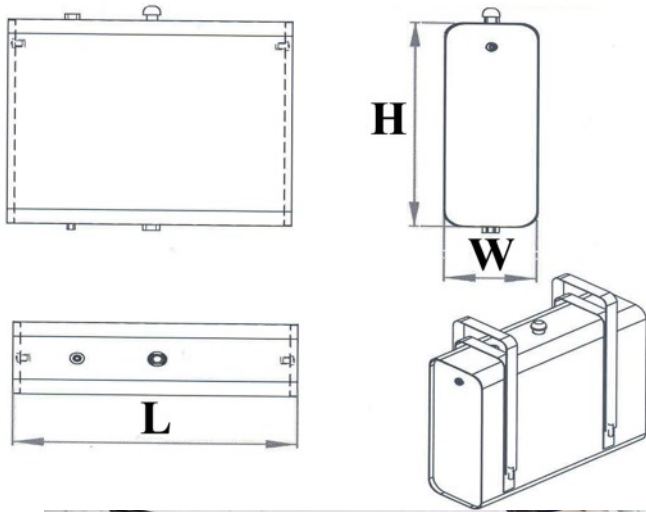




WET KIT TANK DIMENSIONS AND ADDITIONAL INFORMATION

STEEL CAB BACK



The Harsh Steel Cab Back Tank excluding brackets measures the following dimensions :-

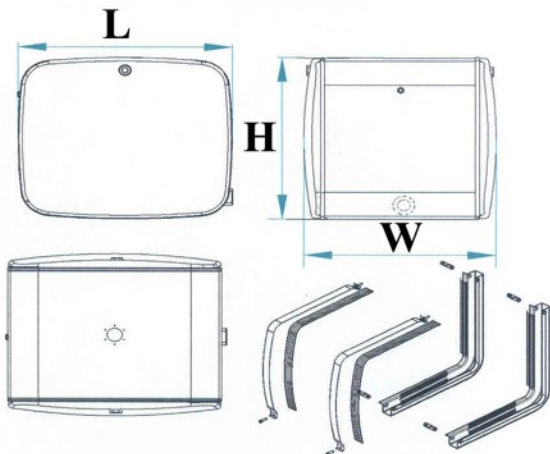
- L - 1260 mm
- W - 270 mm
- H - 638 mm

The Harsh Steel Cab Back Tank comes as standard with a return filter to be installed onto the top of the tank , as an optional extra the tank can be supplied with a valve complete with return filter to be mounted on the top of the tank.

The suction port which is 1½" is located on the lower rear of the tank.

The sight glass can be used as a additional return port which is 1" and a filler breather can be supplied with a oil level indicator as a replacement.

ALLOY SIDE



The Harsh Alloy Side Tank Dimensions excluding brackets measures the following dimensions :-

L - 706 mm

W - 500 mm

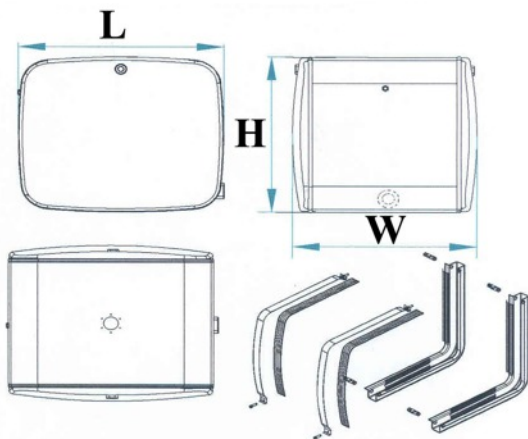
H - 636 mm

The tank is manufactured with 1" return ports on either side of the tank as well as a 1" sight glass located at the left hand side of the tank at the front.

On the rear of the tank there is a 1 1/4" return port and a 1 1/2" suction port.

The tank comes as standard with a cover plate enabling the valve to be remotely mounted, as a optional extra a filter can be installed into the tank or a valve complete with filter can be installed.

STEEL SIDE



The Harsh Steel Side Tank Dimensions excluding brackets measures the following dimensions :-

L - 706 mm

W - 500 mm

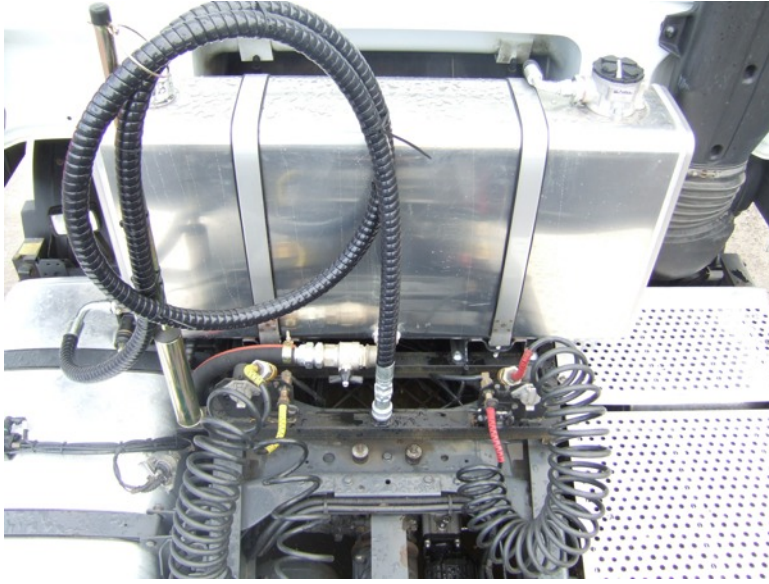
H - 636 mm

The tank is manufactured with 1" return ports on either side of the tank as well as a 1" sight glass located at the left hand side of the tank at the front.

On the rear of the tank there is a 1/4" return port and a 1 1/2" suction port.

The tank comes as standard with a cover plate enabling the valve to be remotely mounted, as a optional extra a filter can be installed into the tank or a valve complete with filter can be installed.

ALLOY CAB BACK



The Harsh Alloy Cab Back Tank excluding brackets measures the following dimensions :-

L - 1260 mm

W - 270 mm

H - 638 mm

The Harsh Alloy Cab Back Tank comes as standard with a return filter to be installed onto the top of the tank , as an optional extra the tank can be supplied with a valve complete with return filter to be mounted on the top of the tank.

The suction port which is 1½" is located on the lower rear of the tank.

The sight glass can be used as a additional return port which is 1" and a filler breather can be supplied with a oil level Indicator as a replacement.



The Harsh Wet Kit Tanks are available with the following options ;-

A



B



C



Option A = Harsh Wet kit Tank complete with blanking plate

Option B = Harsh Wet Kit Tank complete with return filter

Option C = Harsh Wet kit Tank complete with valve mounted on top of tank and return filter

CONTACT HARSH ON 01759 372100 FOR FURTHER INFORMATION

